



# Dual-in-line Switches

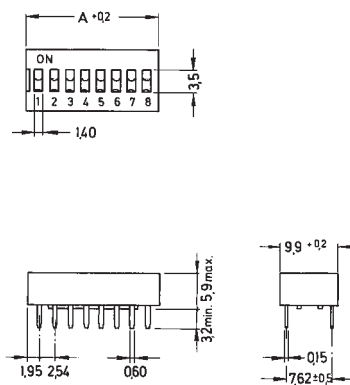
## Specifications:

Contact rating:	24 V DC, 25 mA / 6 V DC, 100 mA
Contact resistance:	< 50 mΩ
Insulation resistance:	> 100 MΩ at 500 V DC
Dielectric strength:	500 V, 50 Hz for the duration of 1 minute
Operating temperature:	- 20° to + 70° C
Mechanical life:	minimum 2000 operations per pole
Material:	PBT meets UL 94 V-0
Contacts:	gold-plated over nickel
Construction:	case sealed
	series DBS 2000 slide recessed, sealed with protective tape
Mounting:	on pc-board
Slide position:	OFF
Soldering conditions:	auto-soldering – max.: 5 sec, 260° C

## Models:

### Series DBS 2000

Type	Poles	Length (A)
DBS 2002	2	6,44 mm
DBS 2003	3	8,98 mm
DBS 2004	4	11,52 mm
DBS 2005	5	14,06 mm
DBS 2006	6	16,60 mm
DBS 2007	7	19,14 mm
DBS 2008	8	21,68 mm
DBS 2009	9	24,22 mm
DBS 2010	10	26,76 mm
DBS 2012	12	31,84 mm



### Series DBS 2100

Type	Poles	Length (A)
DBS 2102	2	6,44 mm
DBS 2103	3	8,98 mm
DBS 2104	4	11,52 mm
DBS 2105	5	14,06 mm
DBS 2106	6	16,60 mm
DBS 2107	7	19,14 mm
DBS 2108	8	21,68 mm
DBS 2109	9	24,22 mm
DBS 2110	10	26,76 mm
DBS 2112	12	31,84 mm

