

# Multi-Function Tact Switches for SMT



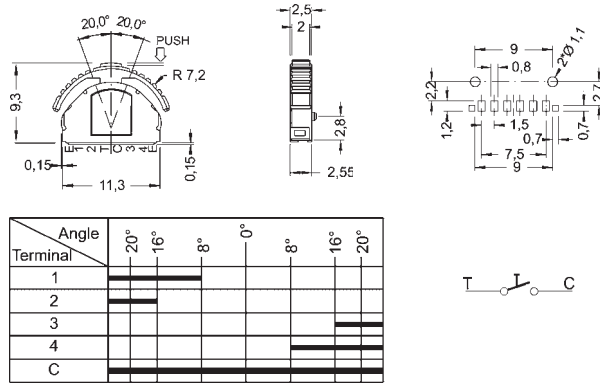
## Specification:

Contact rating:	5 V DC, 10 mA
Contact resistance:	< 500 mΩ
Insulation resistance:	> 100 MΩ
Dielectric strength:	100 V, 50 Hz for the duration of 1 minute
Operating temperature:	- 10° to + 70° C
Storage temperature:	- 25° to + 85° C
Mechanical life:	minimum 100 000 cycles
Contacts:	phosphor bronze silver-plated
Mounting:	on pc-board – SMD
Soldering conditions:	reflow-soldering – max.: 240° C ± 5° C, 10 sec max.

3

## Models:

PLSJ 1



Packing unit: 1000 pieces per reel