

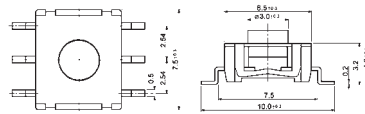
## Specifications:

Contact rating:	TMS 1	48 V DC, 50 mA, max. 1 W
	TMS 3 / TMSE 3	24 V DC, 30 mA, max. 0,6 W
Contact resistance:		< 100 mΩ
Insulation resistance:		> 100 MΩ at 100 V DC
Dielectric strength:		250 V, 50 Hz for the duration of 1 minute
Operating temperature:		- 25° to + 70° C
Mechanical life:		minimum 100 000 operations
Contacts:		silver-plated, terminals tin-plated; TMSE 3 with ground terminals
Material:	TMS 1	case: 6TPA resin; button: silicon, black; frame: stainless steel
	TMS 3	case: PA; button: PA, black; frame: stainless steel
	TMSE 3	case: PA washable; button: silicon, grey; frame: stainless steel
Operating force:	TMS 1 / TMSE 3	2,0 N
	TMS 3	1,2 N
Mounting:		on pc-board – SMD

## Models: Switching functions

TMS 1  
travel 0,5

off – mom



Circuit diagram:

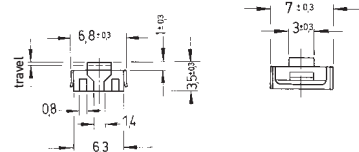


TMS 3  
travel 0,25

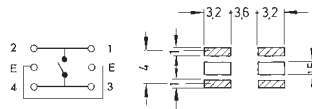
off – mom

TMSE 3  
travel 0,5

off – mom



Circuit diagram:



Soldering conditions: TMS1 reflow-soldering – max.: 40 sec, 230° C  
peak temperature: 250° C  
TMS3/TMSE3 reflow-soldering – max.: 40 sec., 230° C  
peak temperature: 255° C

Packing see next page



# Tact Switches

## Specifications:

Contact rating:	48 V DC, 50 mA, max. 1 W
Contact resistance:	< 100 mΩ
Insulation resistance:	> 100 MΩ at 100 V DC
Dielectric strength:	250 V, 50 Hz for the duration of 1 minute
Operating temperature:	- 25° to + 70° C
Mechanical life:	minimum 300 000 operations
Contacts:	phosphor bronze, silver-plated
Terminals:	PC terminals
Material:	case: 6TPA resin, washable; frame: stainless steel button: perbunan, black
Operating force:	2,0 N
Mounting:	on pc-board
Soldering conditions:	auto-soldering – max.: 6 sec, 275° C ± 10° C

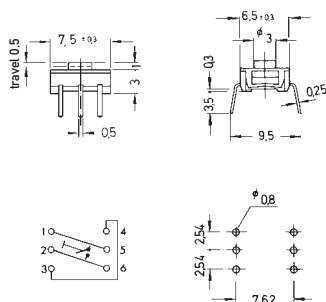
3

## Models: Switching functions

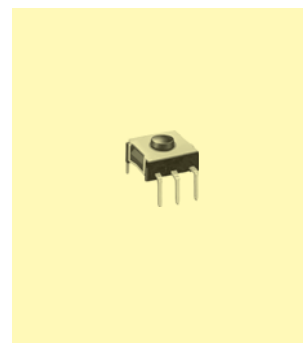
TME 1

off – mom

Circuit diagram:



washable



**Packing series TMS (previous page):** sticks or tapes  
for order on tape: additional to type number: T  
example of order: TMS 1 T

Models	Stick	Tape	Reel	Tape width	Rapport
				(A)	(R)
TMS 1	50 pieces; L 400 mm	1000 pieces	Ø 330 mm	24 mm	16 mm
TMS 3	50 pieces; L 375 mm	1000 pieces	Ø 330 mm	16 mm	12 mm
TMSE 3	50 pieces; L 375 mm	1000 pieces	Ø 330 mm	16 mm	12 mm

