

# Miniature Rotary Switches

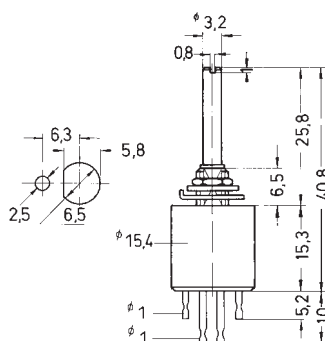
## Specifications:

|                        |  |
|------------------------|--|
| Contact rating:        | step angle between 2 positions 30°: 125 V AC, 0,15<br>24 V DC, 0,15 A        |
|                        | step angle between 2 positions 36°: 125 V AC, 0,5 A<br>24 V DC, 0,5 A        |
| Contact resistance:    | < 10 mΩ  |
| Insulation resistance: | > 100 MΩ at 500 V DC   |
| Dielectric strength:   | 1000 V, 50 Hz for the duration of 1 minute                                   |
| Humidity resistance:   | 10 MΩ after 48 h at 40° C and 95 % relative humidity                         |
| Operating temperature: | - 45° to + 110° C  |
| Electrical life:       | 10 000 – 30 000 operations depending on load                                 |
| Contacts:              | coin silver  |
| Material:              | body: diallyl-phthalate, cover: aluminium<br>shaft: brass, nickel-plated     |
| Contact timing:        | non-shorting   |
| Mounting:              | bushing 1/4" with locking plate or flat bush – 40 THD, key 8 mm<br>axis 1/8" |

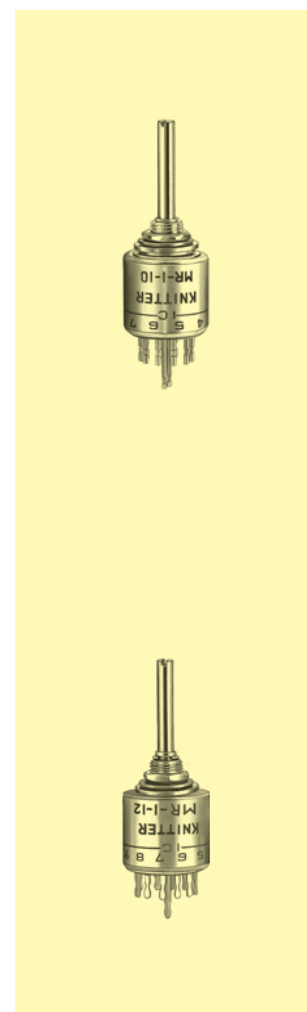
| Models:     | Poles | Positions |
|-------------|-------|-----------|
| MR 1 – 10*  | 1     | 10        |
| MR 1 – 10 C | 1     | 10        |
| MR 2 – 5*   | 2     | 5         |
| MR 3 – 3*   | 3     | 3         |
| MR 4 – 2    | 4     | 2         |

C = without stopper

\* On MR switches, the number of positions can be reduced by changing the positions of the inner ring. For using all positions, this ring has to be removed.



Angle between 2 positions 36°

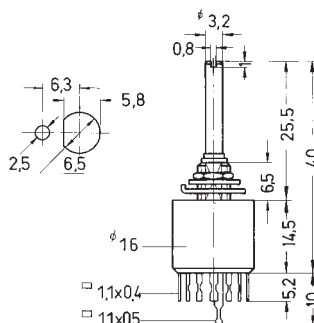


|            |   |    |
|------------|---|----|
| MR 1 – 12* | 1 | 12 |
| MR 2 – 6   | 2 | 6  |
| MR 3 – 4   | 3 | 4  |
| MR 4 – 3   | 4 | 3  |

\* without stopper

Switches are also available in a waterproof version (type **MRE**), shaft and bushing sealed by neoprene O-rings.

Water proofing:  
30 min. at 1 m water column.



Angle between 2 positions 30°