



Miniature Rotary Switches

Specifications:

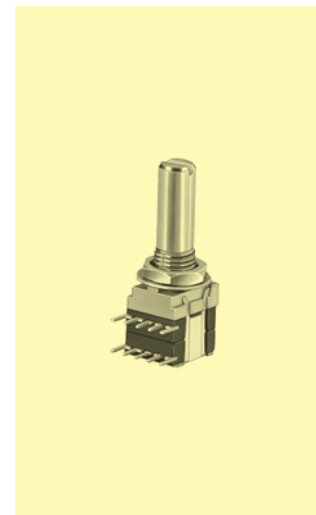
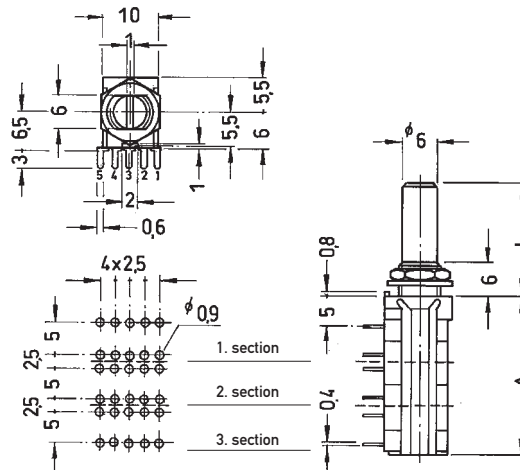
Contact rating:	16 V DC, 100 mA
Contact resistance:	< 50 mΩ
Insulation resistance:	> 100 MΩ at 500 V DC
Dielectric strength:	500 V, 50 Hz for the duration of 1 minute
Operating temperature:	- 20° to + 80° C
Mechanical life:	minimum 10 000 operations
Contacts:	gold
Material:	case: PBT with glass fibre 30%; shaft: PA or aluminium
Angle between 2 positions:	30°
Mounting:	on pc-board or front panel, bushing M 7 x 0,75, key 10 mm
Soldering conditions:	max.: 3 sec, 230° C ± 5° C

Models:

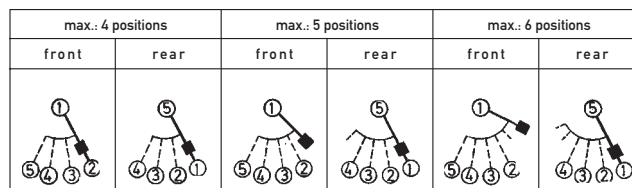
MRS 10 H

Measure A:

- 1 section 12,0 mm
- 2 sections 19,5 mm
- 3 sections 27,0 mm

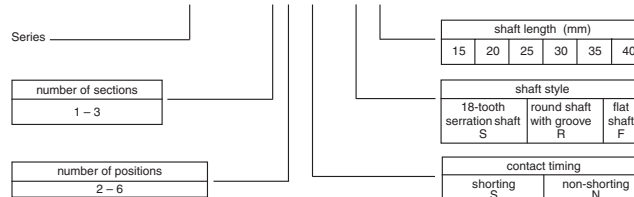


Circuit diagram:



Ordering code:

* **MRS 10 H - 15 N - R 20**



* Non-stock item; minimum quantity and delivery time on request.

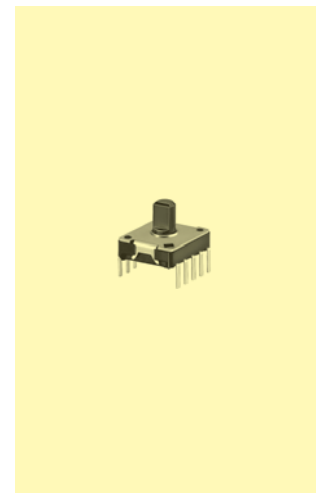
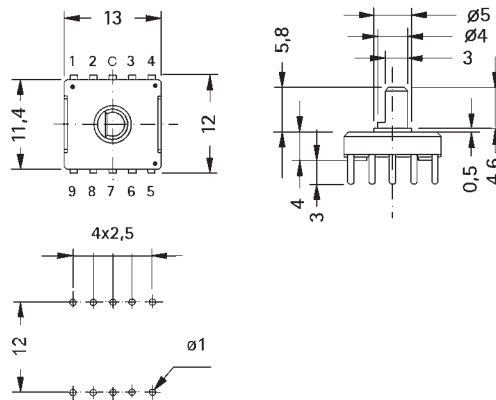


Miniature Rotary Switches

Specifications:

Contact rating:	16 V DC, 100 mA
Contact resistance:	< 50 mΩ
Insulation resistance:	> 100 MΩ at 500 V DC
Dielectric strength:	100 V, 50 Hz for the duration of 1 minute
Operating temperature:	- 20° to + 80° C
Mechanical life:	minimum 10 000 operations
Contacts:	gold
Material:	case: PBT with glass fibre 30%; shaft: PA, flat
Angle between 2 positions:	40°, 9 positions
Mounting:	on pc-board
Contact timing:	non-shorting
Soldering conditions:	max.: 3 sec, 260° C
Operating force:	250 ± 100 gf. cm

Models:	Poles
MRS 12 V - 19	1



Circuit diagram:

