

Miniature Toggle Switches for horizontal mounting, without thread



Specifications:

Contact rating:	250 V AC, 3 A / 125 V AC, 6 A 30 V DC, 4 A / 12 V DC, 5 A 6 V DC, 6 A
Contact resistance:	< 10 mΩ
Insulation resistance:	> 1000 MΩ at 500 V DC
Dielectric strength:	1500 V, 50 Hz for the duration of 1 minute
Operating temperature:	- 20° to + 80° C
Mechanical life:	minimum 100 000 operations
Contacts:	coin silver (common contact copper alloy, silver-plated)
Terminals:	PC terminals, copper alloy silver-plated
Material:	case: diallyle-phthalate, meets UL 94 V-0, green lever: chromium-plated, metal parts: nickel-plated
Mounting:	on pc-board, horizontal mounting
Soldering conditions:	auto-soldering – max.: 5 sec, 270° C

Models:

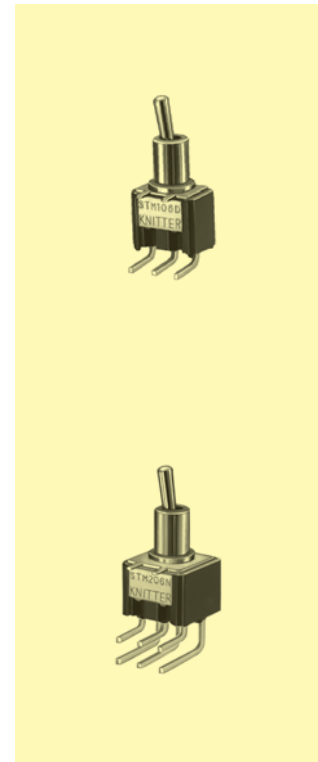
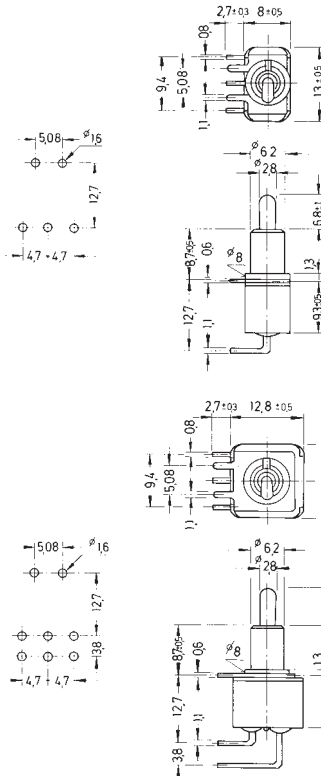
Switching functions

S P D T

STM 106 D – RA	on – on
STM 106 E – RA	on off on
STM 106 F – RA	mom – on
STM 106 G – RA	mom off mom
STM 106 H – RA	mom off on

D P D T

STM 206 N – RA	on – on
STM 206 P – RA	on off on
STM 206 R – RA	mom – on
STM 206 S – RA	mom off mom
STM 206 T – RA	mom off on





Miniature Toggle Switches for vertical mounting, without thread

Specifications:

Contact rating:	250 V AC, 3 A / 125 V AC, 6 A 30 V DC, 4 A / 12 V DC, 5 A 6 V DC, 6 A
Contact resistance:	< 10 mΩ
Insulation resistance:	> 1000 MΩ at 500 V DC
Dielectric strength:	1500 V, 50 Hz for the duration of 1 minute
Operating temperature:	- 20° to + 80° C
Mechanical life:	minimum 100 000 operations
Contacts:	coin silver (common contact copper alloy, silver-plated)
Terminals:	PC terminals, copper alloy silver-plated
Material:	case: diallyle-phthalate, meets UL 94 V-0, green lever: chromium-plated, metal parts: nickel-plated
Mounting:	on pc-board, vertical mounting
Soldering conditions:	auto-soldering – max.: 5 sec, 270° C

2

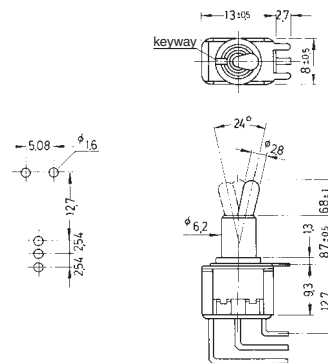
Models:

Switching functions

S P D T

STM 106 D – VM
STM 106 E – VM
STM 106 F – VM
STM 106 G – VM
STM 106 H – VM

●	on	–	on
	on	off	on
	mom	–	on
	mom	off	mom
	mom	off	on



D P D T

STM 206 N – VM
STM 206 P – VM
STM 206 R – VM
STM 206 S – VM
STM 206 T – VM

	on	–	on
	on	off	on
	mom	–	on
	mom	off	mom
	mom	off	on

