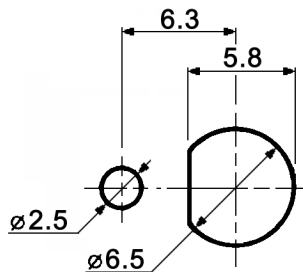


PANEL CUT-OUT



Tolerances:			Date	Name	MR x-y	30 19 42	Page
			10/09	dr			
			knitter-switch				1/6
Modifications	Date	Name					

Specifications:

Contact rating: step angle between 2 positions 30°: 0.15A, 125V AC
 0.15A, 24V DC
 step angle between 2 positions 36°: 0.5A, 125V AC
 0.5A, 24V DC

Contact resistance: 10mOhm max.
 Insulation resistance: 100MOhm min. at 500V DC
 Dielectric strength: 1 000V, 50Hz for the duration of 1 minute
 Humidity resistance: 10MOhm after 48hours at 40°C and 95% relative humidity
 Operating temperature: -45°C to +110°C
 Electrical life: 10 000 - 30 000 cycles depending on load
 Contact timing: non-shorting
 Mounting: bushing 1/4-40 THD, key 8mm
 Material: Contacts: coin silver
 Body: diallyl phthalate
 Cover: aluminium
 Shaft: brass, nickel plated

x	y	Poles	Positions	Step angle
1	10	1	10	36°
1	10C	1	10*	36°
2	5	2	5	36°
3	3	3	3	36°
4	2	4	2	36°
1	12	1	12*	30°
2	6	2	6	30°
3	4	3	4	30°
4	3	4	3	30°

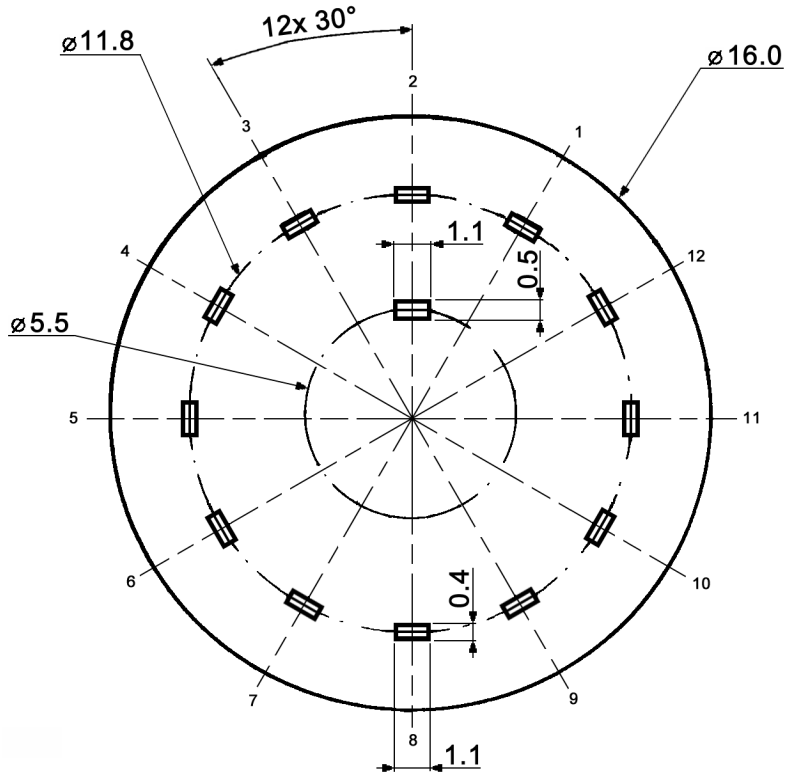
* = without stopper



Tolerances:		Date	Name	MR x-y	
		10/09	dr		
		knitter-switch		30 19 42	
Modifications	Date	Name		Page 2/6	

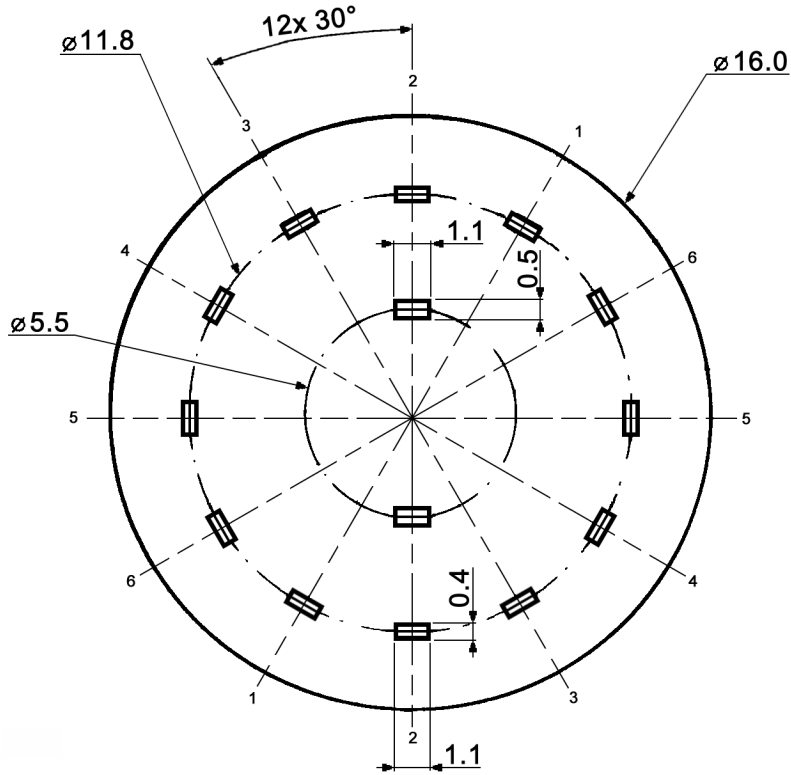
MR 1-12:

VIEW OF CONTACT SIDE



MR 2-6:

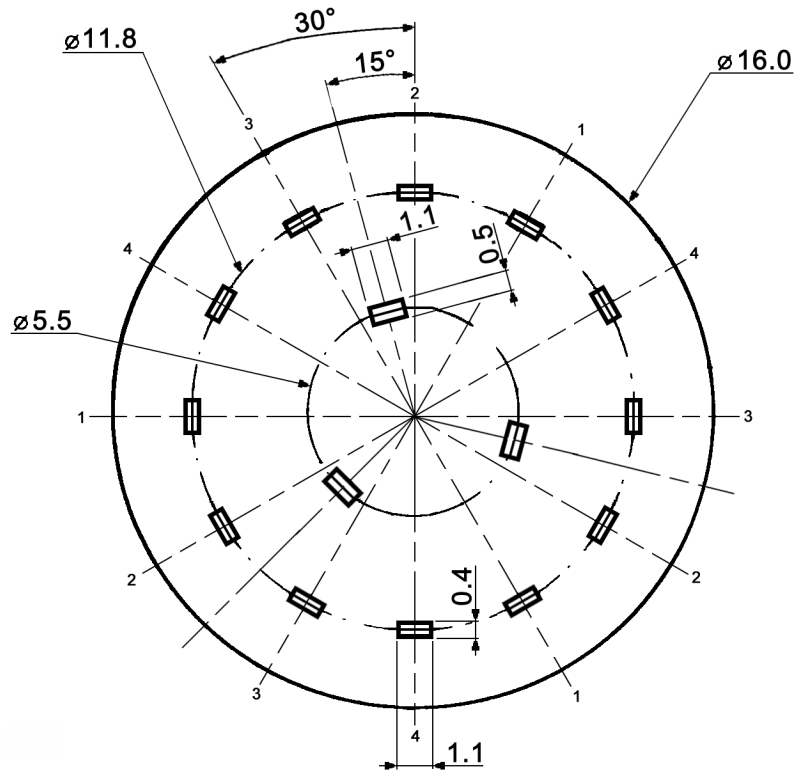
VIEW OF CONTACT SIDE



Tolerances:			Date	Name	MR x-y	30 19 42	Page 3/6
			10/09	dr			
Modifications			Date	Name	knitter-switch		

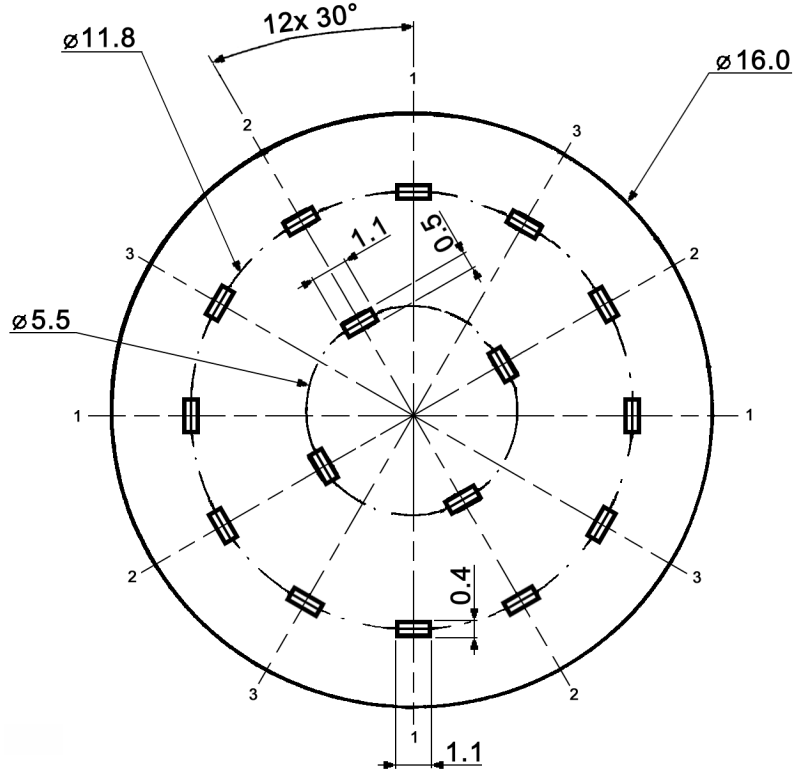
MR 3-4:

VIEW OF CONTACT SIDE



MR 4-3:

VIEW OF CONTACT SIDE



Tolerances:			Date	Name
			10/09	dr
Modifications	Date	Name		

MR x-y

30 19 42

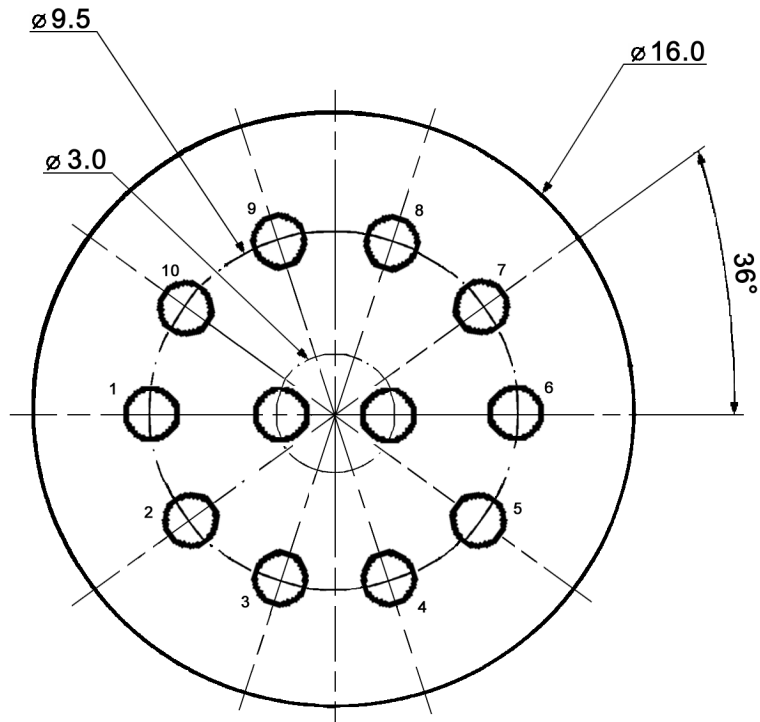
Page

4/6

knitter-switch

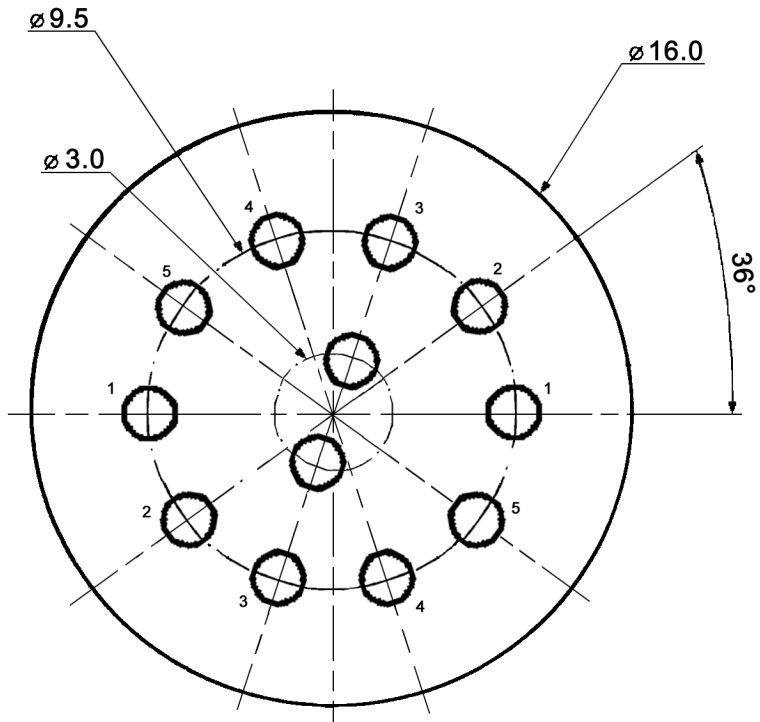
MR 1-10:

VIEW OF CONTACT SIDE



MR 2-5:

VIEW OF CONTACT SIDE



Tolerances:	Date	Name
	10/09	dr

MR x-y

knitter-switch

30 19 42

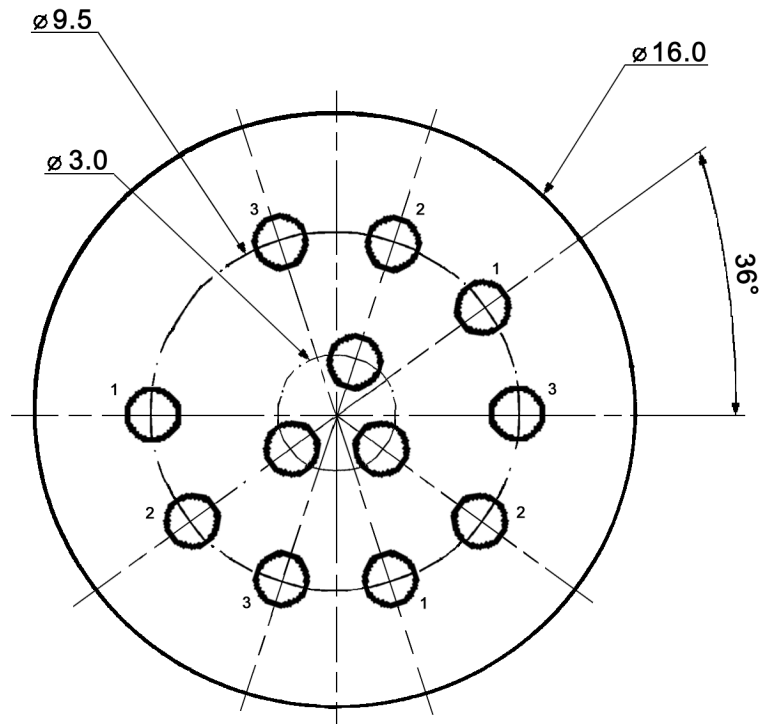
Page

5/6

Modifications	Date	Name
---------------	------	------

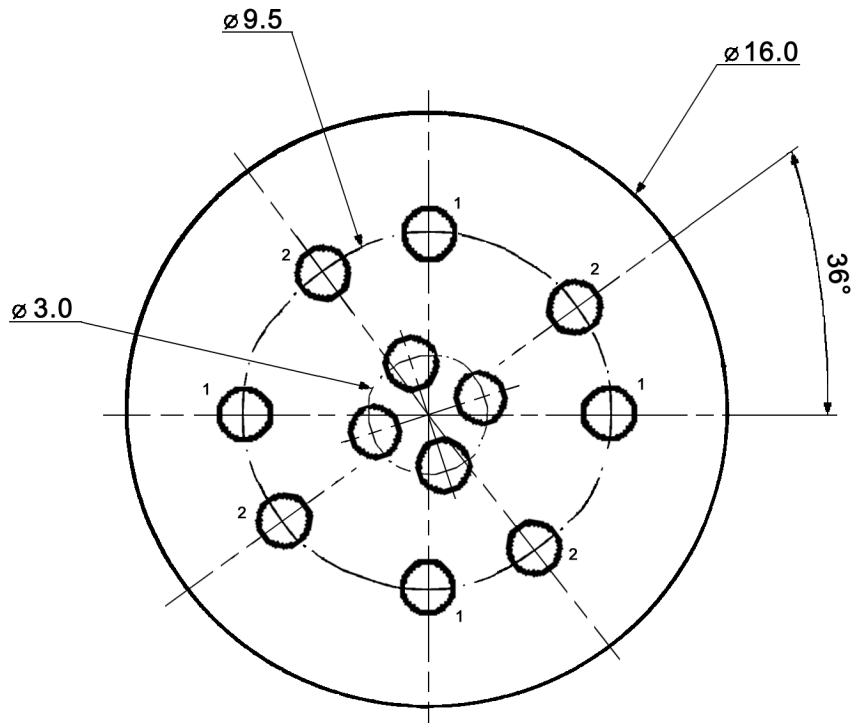
MR 3-3:

VIEW OF CONTACT SIDE



MR 4-2:

VIEW OF CONTACT SIDE



Tolerances:			Date	Name	MR x-y	30 19 42	Page
			10/09	dr			
			knitter-switch		30 19 42		6/6
Modifications	Date	Name					