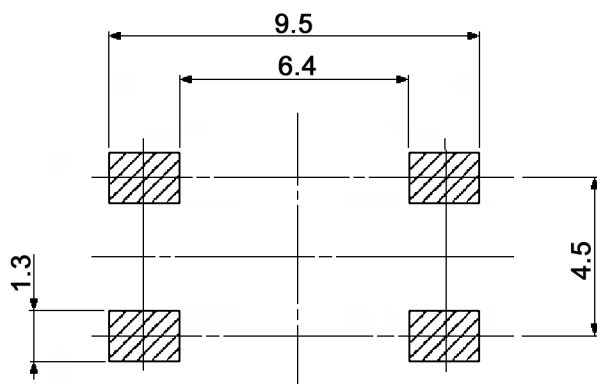
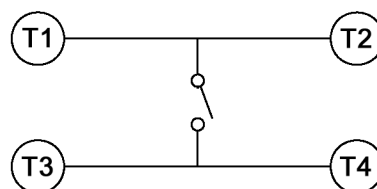


PRINTED CIRCUIT BOARD
LAND DIMENSIONS



CIRCUIT DIAGRAM



Compliance: RohS II (2011/65/EU)

Tolerances: up to 10: ±0.2mm above 10-50: ±0.3mm	Date	Name
	06/15	dr
Material	05/18	dr
Packaging unit	07/15	dr
Modifications	Date	Name

TSS 66 x-T

30 33 64

Page

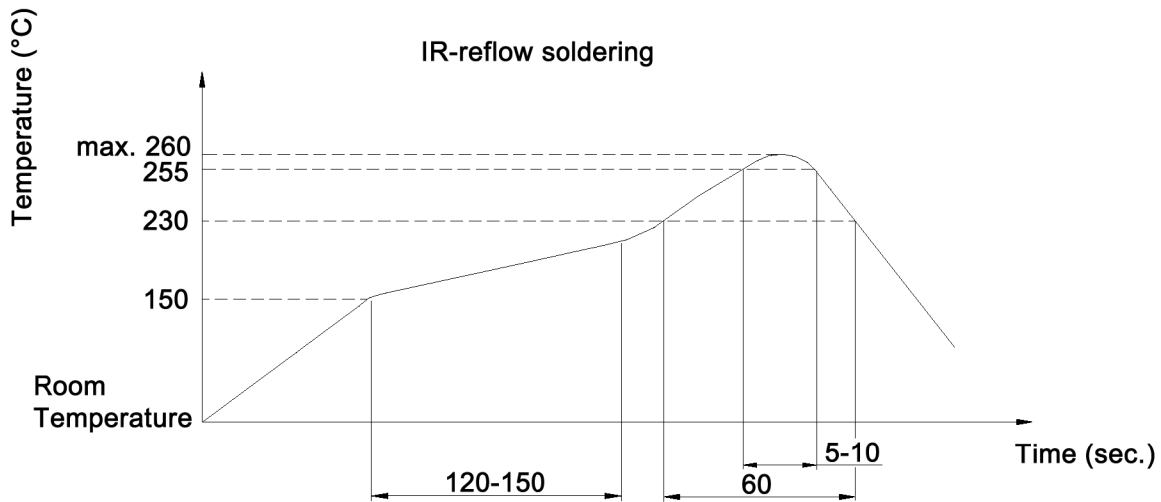
1/3

knitter-switch

Specifications:

Contact rating: 50mA, 12V DC
 Contact resistance: 100mOhm max.
 Insulation resistance: 100MOhm min. at 500V DC for 1 minute
 Dielectric strength: 250V AC (50/60Hz) for 1 minute
 Operating temperature: -40°C to +85°C
 Storage temperature: -40°C to +85°C
 Material: Cover: stainless steel
 Case / stem: PPS
 Contact: phosphor bronze, silver plated
 Terminal: brass, silver plated

Soldering conditions:



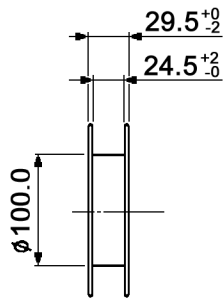
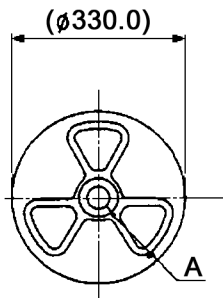
x	Operating force	Mechanical life	Stem color
K	100 +/-30 gf	150 000 cycles	black
N	160 +/-50 gf	150 000 cycles	brown
R	250 +/-70 gf	150 000 cycles	red
S	320 +/-70 gf	100 000 cycles	salmon
Y	520 +/-130 gf	50 000 cycles	yellow

Compliance: RohS II (2011/65/EU)

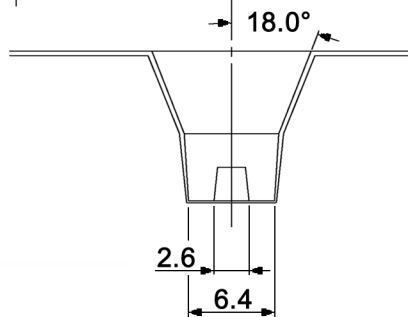
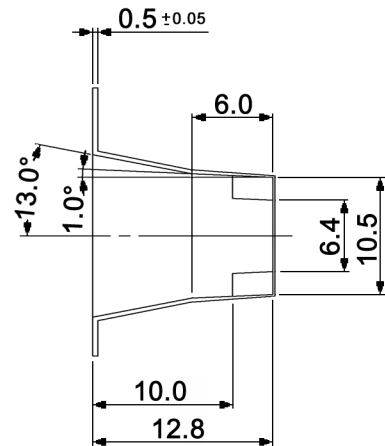
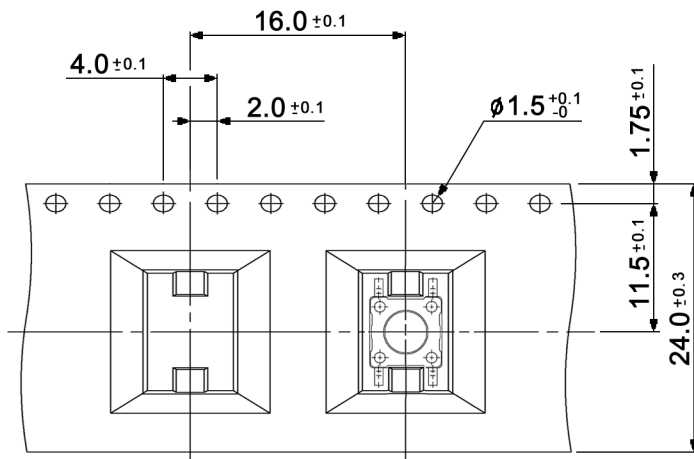
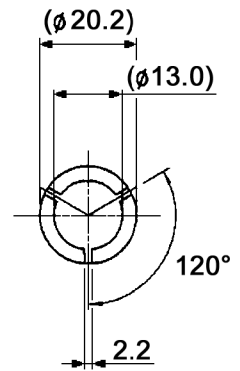
Tolerances: up to 10: ±0.2mm above 10-50: ±0.3mm		Date	Name	<h1>TSS 66 x-T</h1>
		06/15	dr	
Material	05/18	dr	<h2>30 33 64</h2>	Page
Packaging unit	07/15	dr		2/3
Modifications	Date	Name		

Packaging:

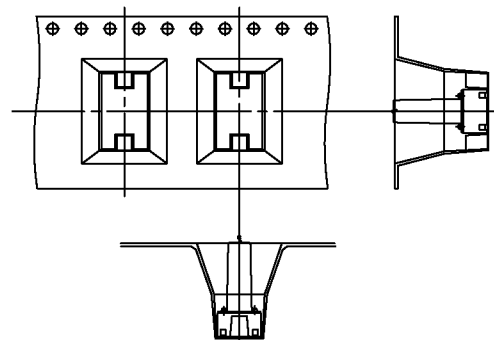
REEL



DETAIL "A"



SCALE 1:1



Packaging unit: 300 pcs. / reel
Compliance: RohS II (2011/65/EU)

Tolerances: up to 10: ±0.2mm above 10-50: ±0.3mm		Date	Name
		06/15	dr
Material	05/18 dr	knitter-switch	
Packaging unit	07/15 dr		
Modifications	Date Name		

TSS 66 x-T

30 33 64

Page

3/3