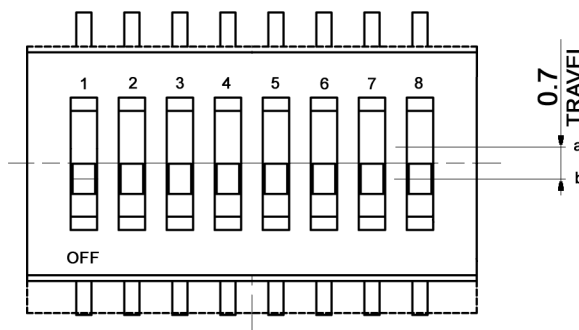
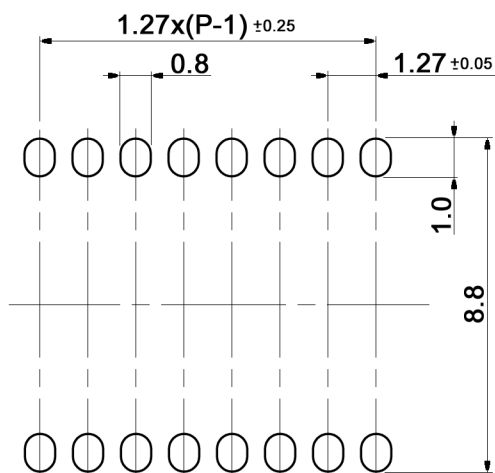
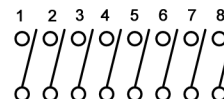


**P.C. MOUNTING**



**SCHEMATIC**



**Specifications:**

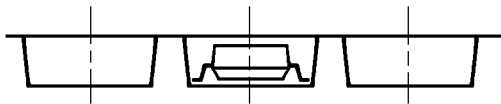
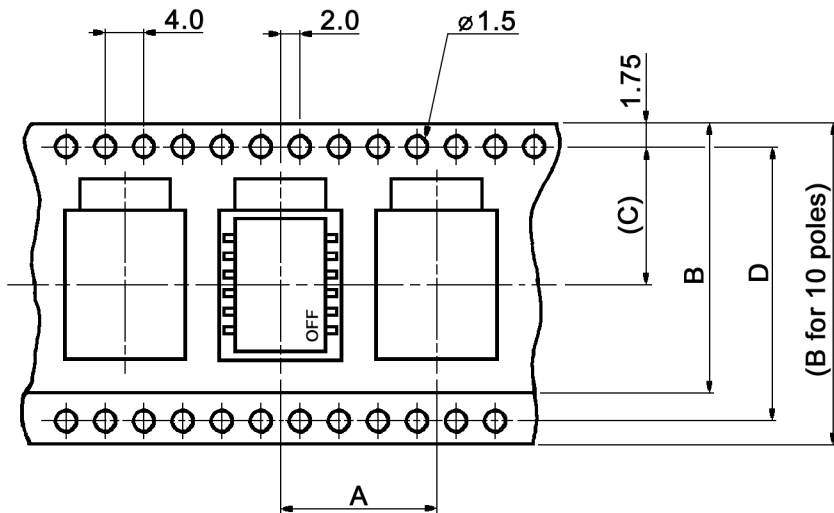
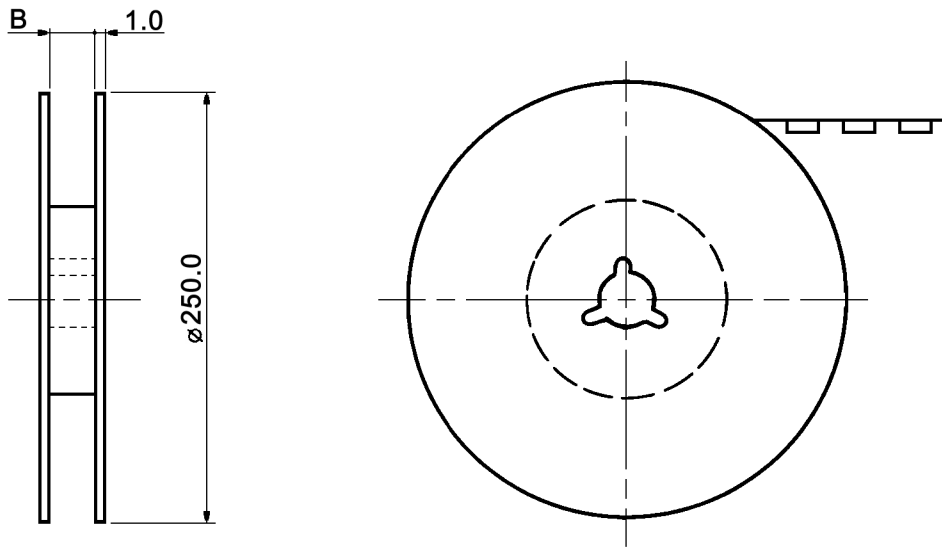
<b>Contact rating:</b>	switching: 100mA, 6V; 25mA, 24V non-switching: 100mA, 50V DC	
<b>Contact resistance:</b>	100mOhm max.	
<b>Insulation resistance:</b>	100MOhm min. at 100V DC	
<b>Dielectric strength:</b>	250CV, 50Hz for the duration of 1 minute	
<b>Operating temperature:</b>	-20°C to +80°C	
<b>Storage temperature:</b>	-55°C to +85°C	
<b>Mechanical life:</b>	min. 1 000 cycles	
<b>Operating force:</b>	max. 400gf	
<b>Soldering conditions:</b>	reflow soldering: max.: 250°C, 10sec.	
<b>Mounting:</b>	on pc-board - SMD	
<b>Sealing:</b>	by protective tape, washable by aqueous detergents and isopropyl alcohol	
<b>Material:</b>	Cover / base: PPS, resin, black Slider: nylon, yellow Contact: copper alloy, gold plated over nickel Terminal: copper alloy, gold flash over nickel Tape: polyimide	

Poles	A
4	6.81
6	9.35
8	11.89
10	14.43



Tolerances:	Date	Name	<h1>DHS 1xx</h1>	
	06/13	dr		
			<h2>30 28 77</h2>	Page
				1/2
Sealing	11/13	dr	<b>knitter-switch</b>	
Modifications	Date	Name		

Packaging:



xx	A (mm)	B (mm)	(C) (mm)	D (mm)	Packaging unit (pcs. / reel)
04	12.0	24.0	11.5	-	1 000
06	16.0	24.0	11.5	-	700
08	12.0	24.0	11.5	-	1 000
10	16.0	32.0	14.2	28.4	700



Tolerances:	Date	Name	<h1>DHS 1xx</h1>
	06/13	dr	
			<h2>30 28 77</h2>
			Page 2/2
Modifications	Date	Name	knitter-switch